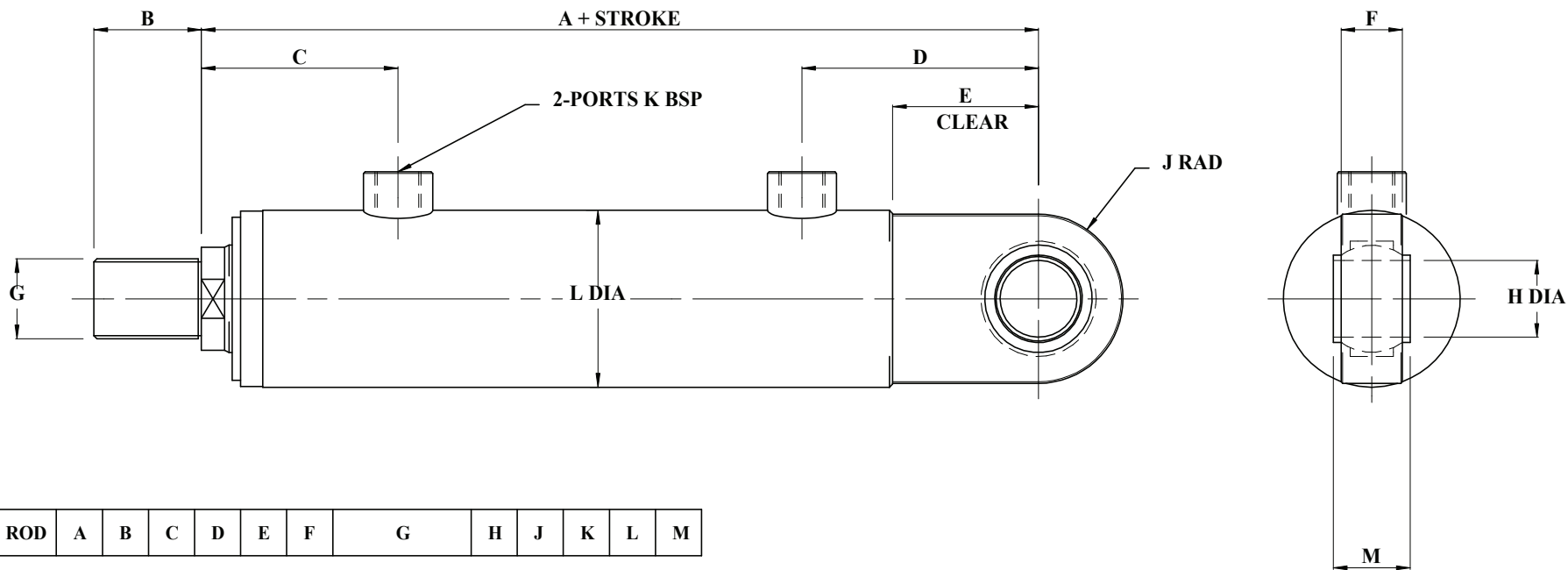


BORE	ROD	A	B	C	D	E	F	G	H	J	K	L
25	14	178	14	58	51	20	12	M12 X 1,25P	12	15	1/4"	40
	18		M14 X 1,5P									
32	18	206	18	64	64	25	16	M14 X 1,5P	16	20	3/8"	42
	22		M18 X 1,5P									
40	22	231	24	80	74	30	20	M18 X 1,5P	20	25	1/2"	50
	28		M22 X 1,5P									
50	28	257	30	83	84	40	25	M22 X 1,5P	25	32	1/2"	60
	36		M27 X 2P									
63	36	289	36	96	103	50	32	M27 X 2P	32	35	3/4"	73
	45		M33 X 2P									
80	45	332	45	118	127	60	40	M33 X 2P	40	45	3/4"	90
	56		M42 X 2P									
100	56	395	55	128	154	80	50	M42 X 2P	50	55	1"	115
	70		M52 X 2P									
125	70	428	70	150	165	85	63	M52 X 2P	63	65	1"	145
	90		M68 X 3P									
160	90	505	90	175	205	121	80	M68 X 3P	80	90	1 1/4"	180
	110		M80 X 3P									
200	110	615	100	190	255	150	100	M80 X 3P	100	110	1 1/4"	230
	140		M100 X 3P									
250	140	773	112	235	323	200	125	M100 X 3P	125	150	1 1/2"	280
	180		M125 X 4P									

MAXIMUM WORKING PRESSURE : 210 BAR.

DIMENSIONS CONFORM TO CETOP RP 58H

REAR CLEVIS EYE MOUNTING : TYPE 1



BORE	ROD	A	B	C	D	E	F	G	H	J	K	L	M
25	14	178	16	58	51	20	10	M12 X 1,25P	12	15	1/4"	40	12
	18		M14 X 1,5P										
32	18	206	18	64	64	25	14	M14 X 1,5P	16	20	3/8"	42	16
	22		M18 X 1,5P										
40	22	231	24	80	74	30	18	M18 X 1,5P	20	25	1/2"	50	20
	28		M22 X 1,5P										
50	28	257	30	83	84	40	22	M22 X 1,5P	25	32	1/2"	60	25
	36		M27 X 2P										
63	36	289	36	96	103	50	28	M27 X 2P	32	35	3/4"	73	32
	45		M33 X 2P										
80	45	332	45	118	127	60	35	M33 X 2P	40	45	3/4"	90	40
	56		M42 X 2P										
100	56	395	55	128	154	80	40	M42 X 2P	50	55	1"	115	50
	70		M52 X 2P										
125	70	428	70	150	165	85	50	M52 X 2P	63	65	1"	145	63
	90		M68 X 3P										
160	90	505	90	175	205	121	65	M68 X 3P	80	90	1 1/4"	180	80
	110		M80 X 3P										
200	110	615	100	190	255	150	90	M80 X 3P	100	110	1 1/4"	230	100
	140		M100 X 3P										
250	140	773	112	235	323	200	115	M100 X 3P	125	150	1 1/2"	280	125
	180		M125 X 4P										

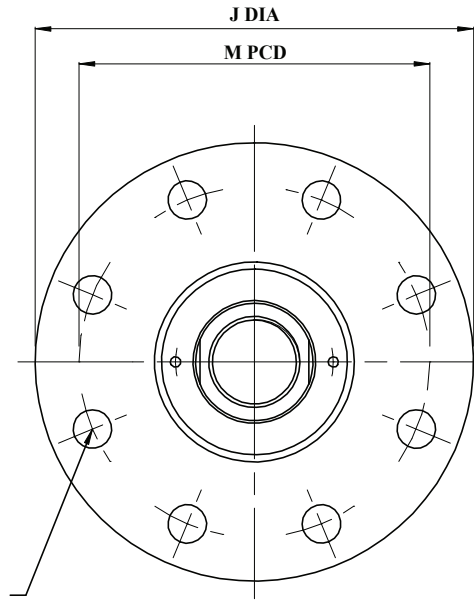
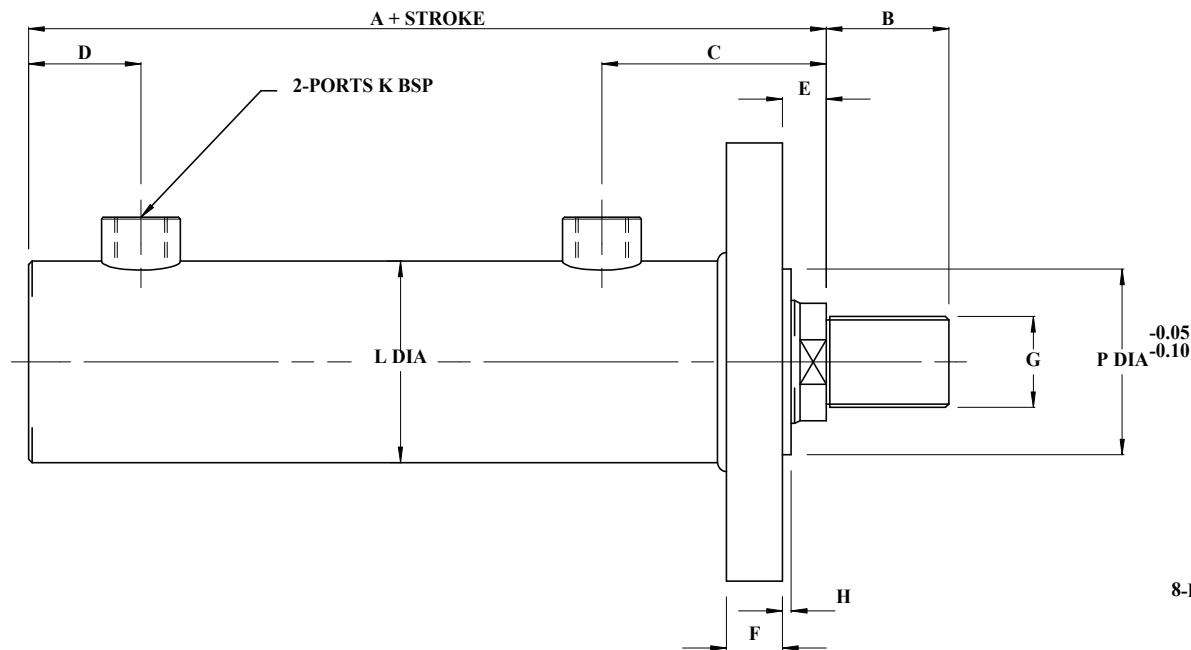
MAXIMUM WORKING PRESSURE : 210 BAR.

DIMENSIONS CONFORM TO CETOP RP 58H

RS FLUID POWER SERIES RSW

REAR SPHERICAL CLEVIS EYE MOUNTING : TYPE 1S

RS FLUID POWER



8-HOLES N DIA

BORE	ROD	A	B	C	D	E	F	G	H	J	K	L	M	N	P
25	14	148	16	58	23	16	15	M12 X 1,25P	3	95	1/4"	40	75	7	32
	18		18					M14 X 1,5P							
32	18	170	18	64	28	16	15	M14 X 1,5P	3	125	3/8"	42	92	9	40
	22		24					M18 X 1,5P							
40	22	191	24	80	33	16	20	M18 X 1,5P	3	130	1/2"	50	106	9	50
	28		30					M22 X 1,5P							
50	28	207	30	83	32	18	20	M22 X 1,5P	4	150	1/2"	60	126	11	60
	36		36					M27 X 2P							
63	36	224	36	96	38	20	25	M27 X 2P	4	180	3/4"	73	145	14	70
	45		45					M33 X 2P							
80	45	267	45	118	45	22	32	M33 X 2P	4	200	3/4"	90	165	18	85
	56		55					M42 X 2P							
100	56	300	55	128	59	25	32	M42 X 2P	5	250	1"	115	200	22	106
	70		70					M52 X 2P							
125	70	333	70	150	62	28	32	M52 X 2P	5	280	1"	145	235	22	132
	90		90					M68 X 3P							
160	90	370	90	175	70	30	40	M68 X 3P	5	330	1 1/4"	180	280	22	160
	110		100					M80 X 3P							
200	110	450	100	190	90	35	85	M80 X 3P	5	440	1 1/4"	230	340	35	200
	140		112					M100 X 3P							
250	140	550	112	235	100	40	110	M100 X 3P	5	500	1 1/2"	280	420	40	250
	180		125					M125 X 4P							

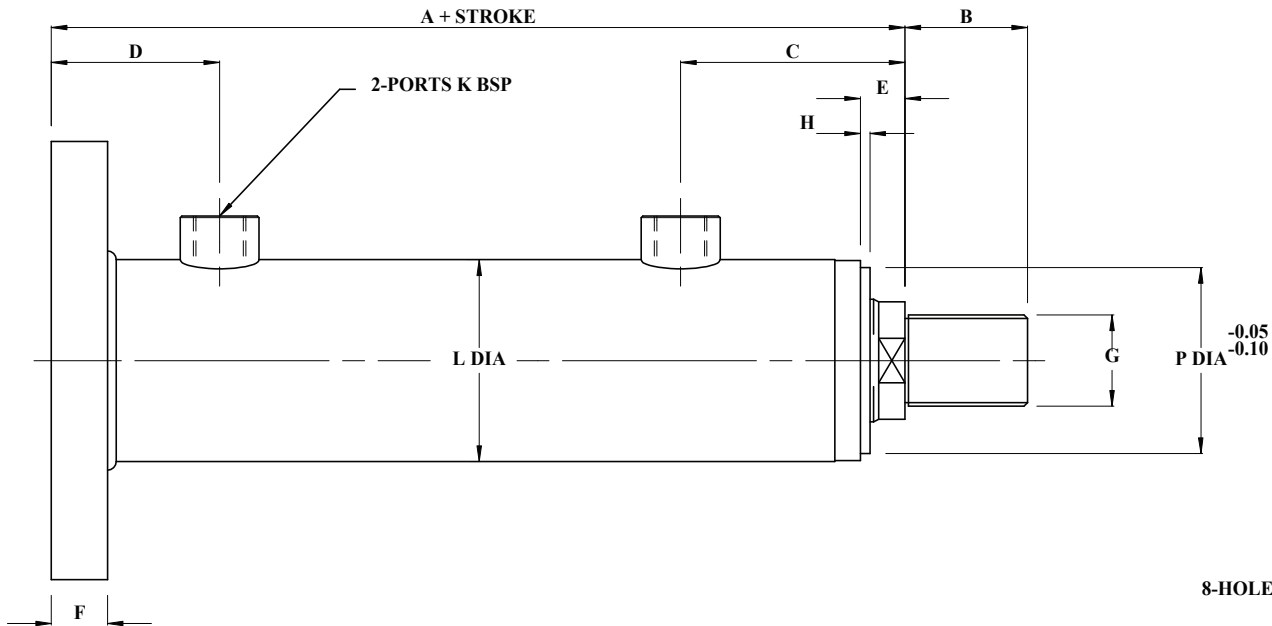
MAXIMUM WORKING PRESSURE : 210 BAR.

DIMENSIONS CONFORM TO CETOP RP 58H

RS FLUID POWER SERIES RSW

FRONT CIRCULAR FLANGE MOUNTING : TYPE 2





8-HOLES N DIA

BORE	ROD	A	B	C	D	E	F	G	H	J	K	L	M	N	P
25	14	162	16	58	35	16	15	M12 X 1,25P	3	95	1/4"	40	75	7	32
	18		18					M14 X 1,5P							
32	18	186	18	64	44	16	15	M14 X 1,5P	3	125	3/8"	42	92	9	40
	22		24					M18 X 1,5P							
40	22	206	24	80	49	16	20	M18 X 1,5P	3	130	1/2"	50	106	9	50
	28		30					M22 X 1,5P							
50	28	225	30	83	52	18	20	M22 X 1,5P	4	150	1/2"	60	126	11	60
	36		36					M27 X 2P							
63	36	249	36	96	63	20	25	M27 X 2P	4	180	3/4"	73	145	14	70
	45		45					M33 X 2P							
80	45	282	45	118	77	22	32	M33 X 2P	4	200	3/4"	90	165	18	85
	56		55					M42 X 2P							
100	56	332	55	128	91	25	32	M42 X 2P	5	250	1"	115	200	22	106
	70		70					M52 X 2P							
125	70	357	70	150	94	28	32	M52 X 2P	5	280	1"	145	235	22	132
	90		90					M68 X 3P							
160	90	406	90	175	106	30	40	M68 X 3P	5	330	1 1/4"	180	280	22	160
	110		100					M80 X 3P							
200	110	490	100	190	130	35	85	M80 X 3P	5	440	1 1/4"	230	340	35	200
	140		112					M100 X 3P							
250	140	606	112	235	156	40	110	M100 X 3P	5	500	1 1/2"	280	420	40	250
	180		125					M125 X 4P							

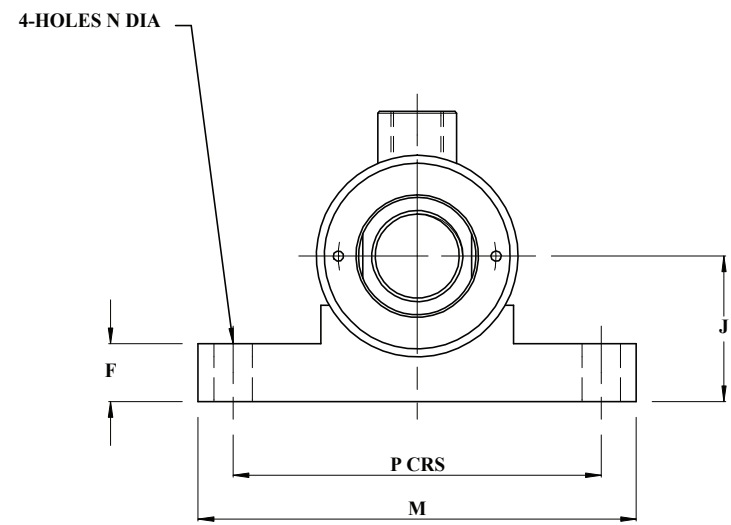
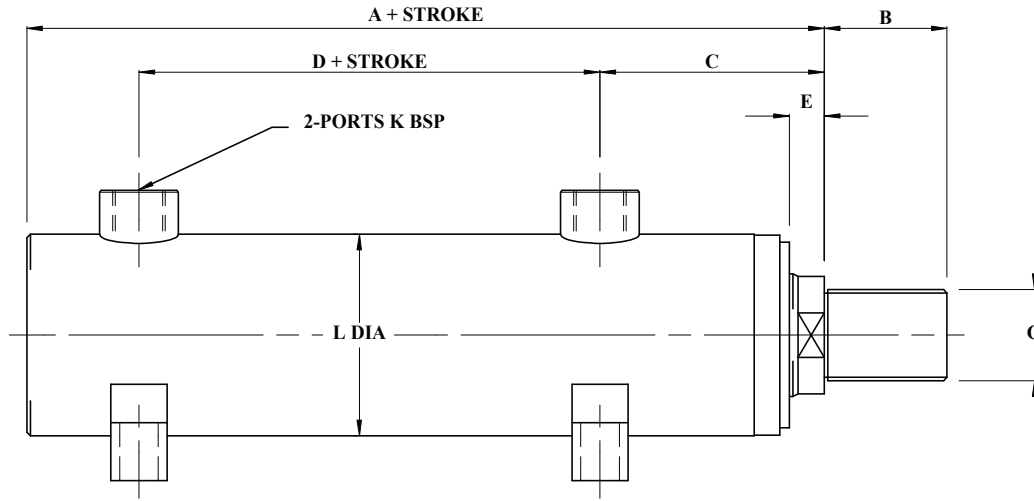
MAXIMUM WORKING PRESSURE : 210 BAR.

DIMENSIONS CONFORM TO CETOP RP 58H

RS FLUID POWER SERIES RSW

FRONT CIRCULAR FLANGE MOUNTING : TYPE 3





BORE	ROD	A	B	C	D	E	F	G	H	J	K	L	M	N	P
25	14	148	16	58	69	13	10	M12 X 1,25P	15	30	1/4"	40	100	7	80
	18		18					M14 X 1,5P							
32	18	170	18	64	78	13	12	M14 X 1,5P	19	35	3/8"	42	115	9	95
	22		24					M18 X 1,5P							
40	22	191	24	80	77	13	15	M18 X 1,5P	25	45	1/2"	50	150	11	120
	28		30					M22 X 1,5P							
50	28	207	30	83	90	14	20	M22 X 1,5P	25	50	1/2"	60	160	11	130
	36		36					M27 X 2P							
63	36	224	36	96	90	16	25	M27 X 2P	25	60	3/4"	73	190	14	160
	45		45					M33 X 2P							
80	45	267	45	118	87	18	25	M33 X 2P	32	70	3/4"	90	230	18	190
	56		55					M42 X 2P							
100	56	300	55	128	113	20	30	M42 X 2P	32	80	1"	115	250	22	210
	70		70					M52 X 2P							
125	70	333	70	150	113	23	35	M52 X 2P	50	110	1"	145	320	22	260
	90		90					M68 X 3P							
160	90	370	90	175	125	25	40	M68 X 3P	70	120	1 1/4"	180	390	26	315
	110		100					M80 X 3P							
200	110	450	100	190	170	30	70	M80 X 3P	75	150	1 1/4"	230	440	35	340
	140		112					M100 X 3P							
250	140	550	112	235	215	35	80	M100 X 3P	80	180	1 1/2"	280	500	40	400
	180		125					M125 X 4P							

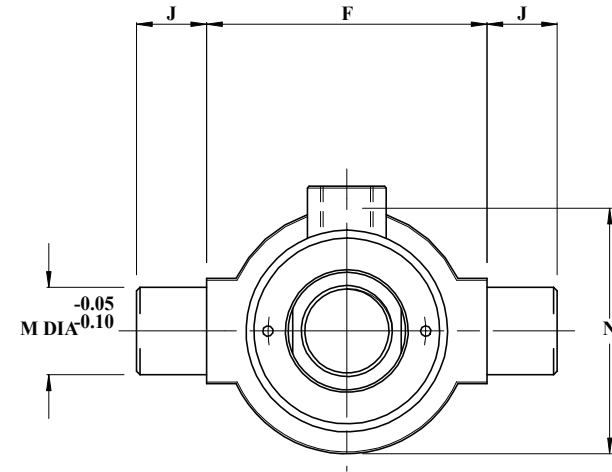
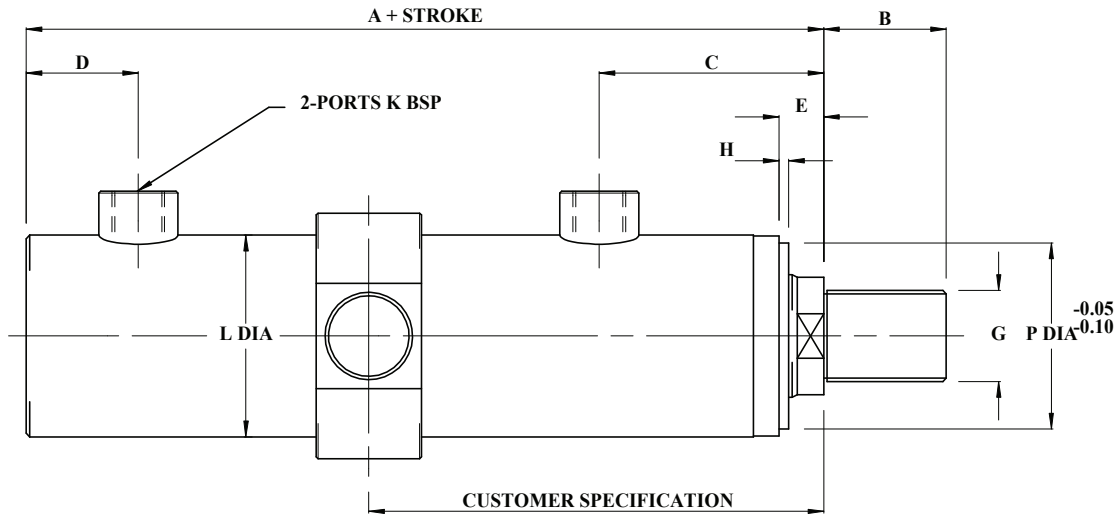
MAXIMUM WORKING PRESSURE : 210 BAR.

DIMENSIONS CONFORM TO CETOP RP 58H

RS FLUID POWER SERIES RSW

FOOT MOUNTING : TYPE 4





BORE	ROD	A	B	C	D	E	F	G	H	J	K	L	M	N	P
25	14	150	16	58	21	16	63	M12 X 1,25P	3	10	1/4"	40	12	50	32
	18		18					M14 X 1,5P							
32	18	170	18	64	28	16	75	M14 X 1,5P	3	12	3/8"	42	16	60	40
	22		24					M18 X 1,5P							
40	22	190	24	80	33	16	90	M18 X 1,5P	3	16	1/2"	50	20	70	50
	28		30					M22 X 1,5P							
50	28	205	30	83	32	18	105	M22 X 1,5P	4	20	1/2"	60	25	80	60
	36		36					M27 X 2P							
63	36	224	36	96	38	20	120	M27 X 2P	4	25	3/4"	73	32	95	70
	45		45					M33 X 2P							
80	45	267	45	118	45	22	135	M33 X 2P	4	32	3/4"	90	40	120	85
	56		55					M42 X 2P							
100	56	300	55	128	59	25	160	M42 X 2P	5	40	1"	115	50	150	106
	70		70					M52 X 2P							
125	70	333	70	150	62	28	195	M52 X 2P	5	50	1"	145	63	185	132
	90		90					M68 X 3P							
160	90	370	90	175	70	30	240	M68 X 3P	5	63	1 1/4"	180	80	220	160
	110		100					M80 X 3P							
200	110	450	100	190	90	35	295	M80 X 3P	5	80	1 1/4"	230	100	300	200
	140		112					M100 X 3P							
250	140	550	112	235	100	40	370	M100 X 3P	5	100	1 1/2"	280	125	350	250
	180		125					M125 X 4P							

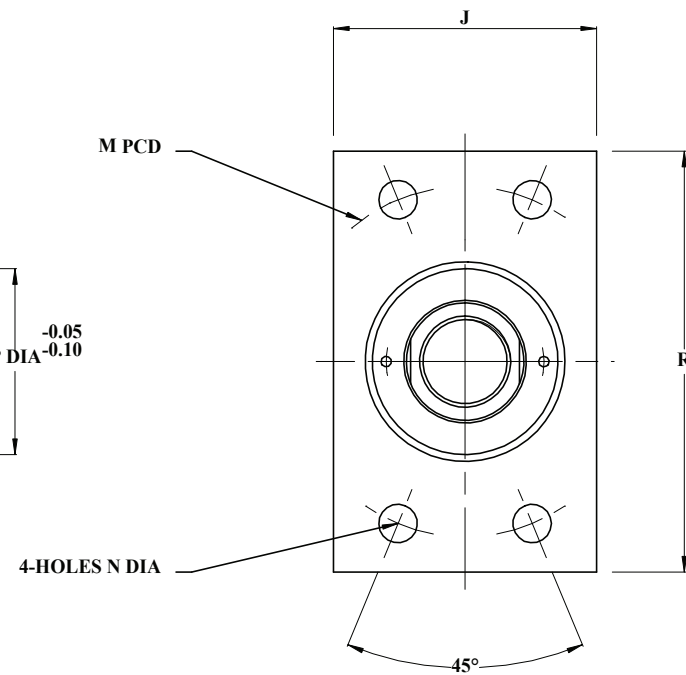
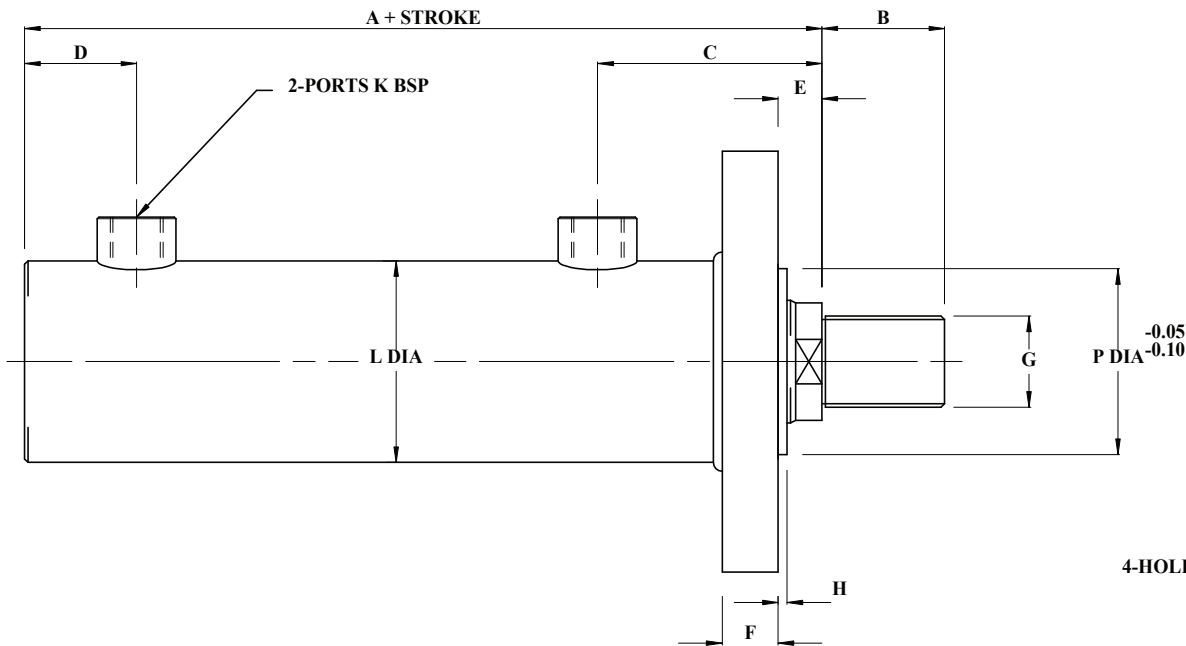
MAXIMUM WORKING PRESSURE : 210 BAR.

DIMENSIONS CONFORM TO CETOP RP 58H

RS FLUID POWER SERIES RSW

TRUNNION MOUNTING : TYPE 5





BORE	ROD	A	B	C	D	E	F	G	H	J	K	L	M	N	P	R
25	14	148	16	58	23	16	15	M12 X 1,25P	3	50	1/4"	40	75	7	32	90
	18		18					M14 X 1,5P								
32	18	170	18	64	28	16	15	M14 X 1,5P	3	60	3/8"	42	92	9	40	110
	22		24					M18 X 1,5P								
40	22	191	24	80	33	16	20	M18 X 1,5P	3	70	1/2"	50	106	9	50	120
	28		30					M22 X 1,5P								
50	28	207	30	83	32	18	20	M22 X 1,5P	4	90	1/2"	60	126	11	60	140
	36		36					M27 X 2P								
63	36	224	36	96	38	20	25	M27 X 2P	4	110	3/4"	73	145	14	70	170
	45		45					M33 X 2P								
80	45	267	45	118	45	22	32	M33 X 2P	4	120	3/4"	90	165	18	85	200
	56		55					M42 X 2P								
100	56	300	55	128	59	25	32	M42 X 2P	5	150	1"	115	200	22	106	240
	70		70					M52 X 2P								
125	70	333	70	150	62	28	32	M52 X 2P	5	180	1"	145	235	22	132	280
	90		90					M68 X 3P								
160	90	370	90	175	70	30	40	M68 X 3P	5	220	1 1/4"	180	280	22	160	370
	110		100					M80 X 3P								
200	110	450	100	190	90	35	85	M80 X 3P	5	260	1 1/4"	230	340	35	200	400
	140		112					M100 X 3P								
250	140	550	112	235	100	40	110	M100 X 3P	5	310	1 1/2"	280	420	40	250	500
	180		125					M125 X 4P								

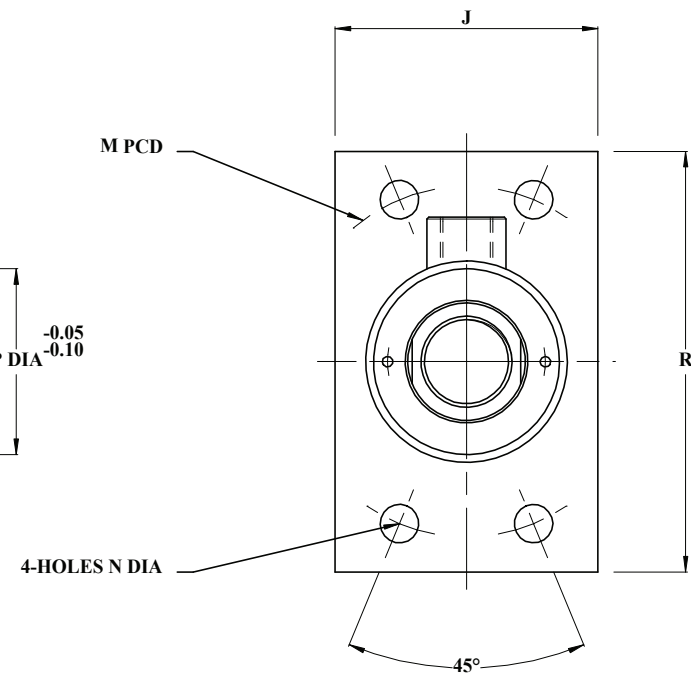
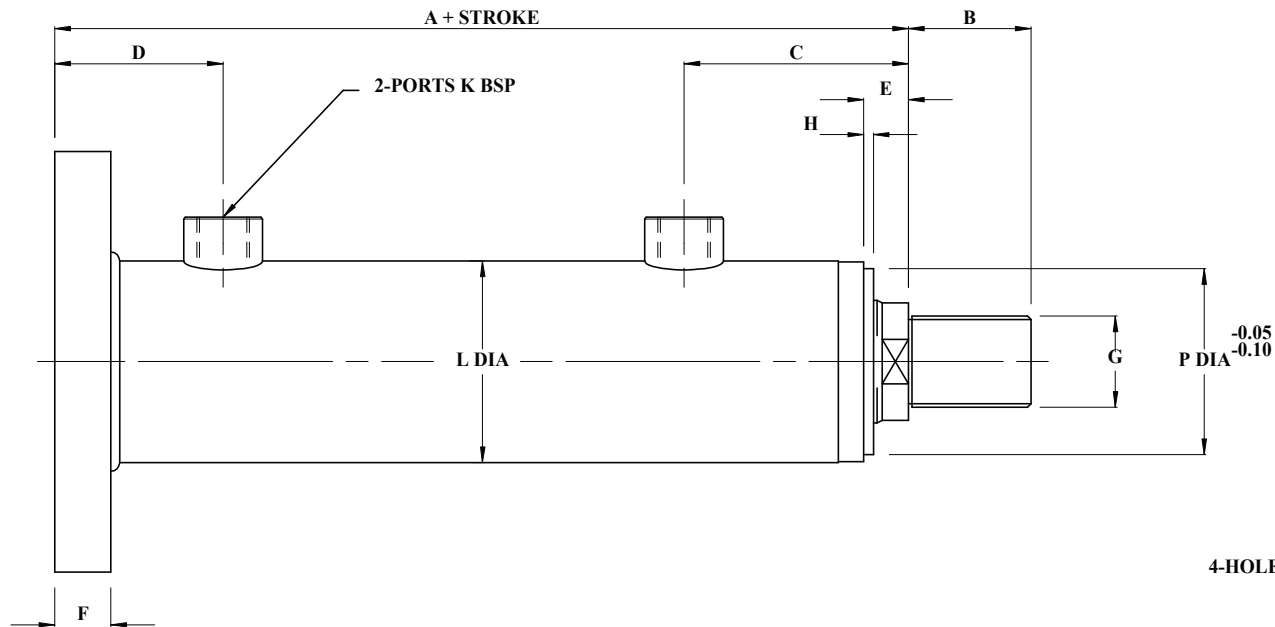
MAXIMUM WORKING PRESSURE : 210 BAR.

DIMENSIONS CONFORM TO CETOP RP 58H

RS FLUID POWER SERIES RSW

FRONT RECTANGULAR FLANGE MOUNTING : TYPE 6

RS FLUID POWER



BORE	ROD	A	B	C	D	E	F	G	H	J	K	L	M	N	P	R
25	14	162	16	58	35	16	15	M12 X 1,25P	3	50	1/4"	40	75	7	32	90
	18		M14 X 1,5P													
32	18	186	18	64	44	16	15	M14 X 1,5P	3	60	3/8"	42	92	9	40	110
	22		M18 X 1,5P													
40	22	206	24	80	49	16	20	M18 X 1,5P	3	70	1/2"	50	106	9	50	120
	28		M22 X 1,5P													
50	28	225	30	83	52	18	20	M22 X 1,5P	4	90	1/2"	60	126	11	60	140
	36		M27 X 2P													
63	36	249	36	96	63	20	25	M27 X 2P	4	110	3/4"	73	145	14	70	170
	45		M33 X 2P													
80	45	282	45	118	77	22	32	M33 X 2P	4	120	3/4"	90	165	18	85	200
	56		M42 X 2P													
100	56	332	55	128	91	25	32	M42 X 2P	5	150	1"	115	200	22	106	240
	70		M52 X 2P													
125	70	357	70	150	94	28	32	M52 X 2P	5	180	1"	145	235	22	132	280
	90		M68 X 3P													
160	90	406	90	175	106	30	40	M68 X 3P	5	220	1 1/4"	180	280	22	160	370
	110		M80 X 3P													
200	110	490	100	190	130	35	65	M80 X 3P	5	260	1 1/4"	230	340	35	200	400
	140		M100 X 3P													
250	140	606	112	235	156	40	85	M100 X 3P	5	310	1 1/2"	280	420	40	250	500
	180		M125 X 4P													

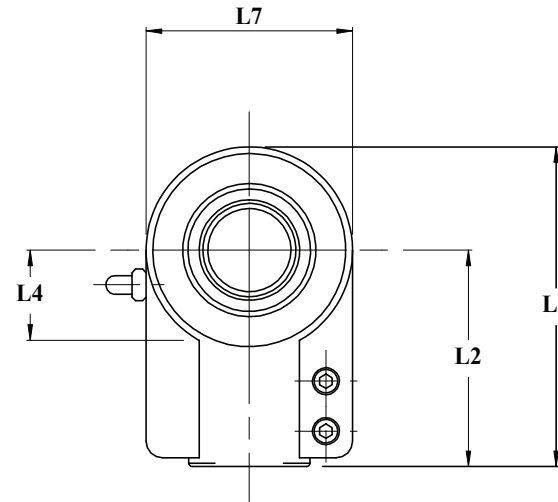
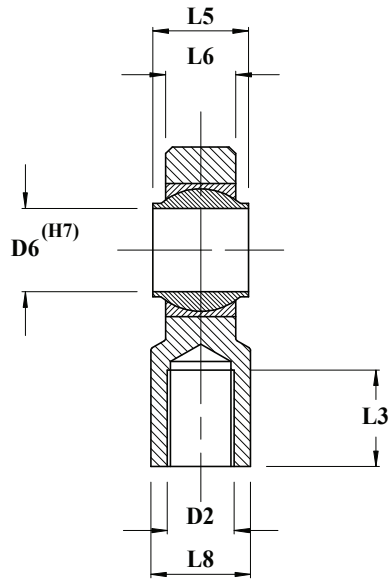
MAXIMUM WORKING PRESSURE : 210 BAR.

DIMENSIONS CONFORM TO CETOP RP 58H

RS FLUID POWER SERIES RSW

REAR RECTANGULAR FLANGE MOUNTING : TYPE 7

RS FLUID POWER

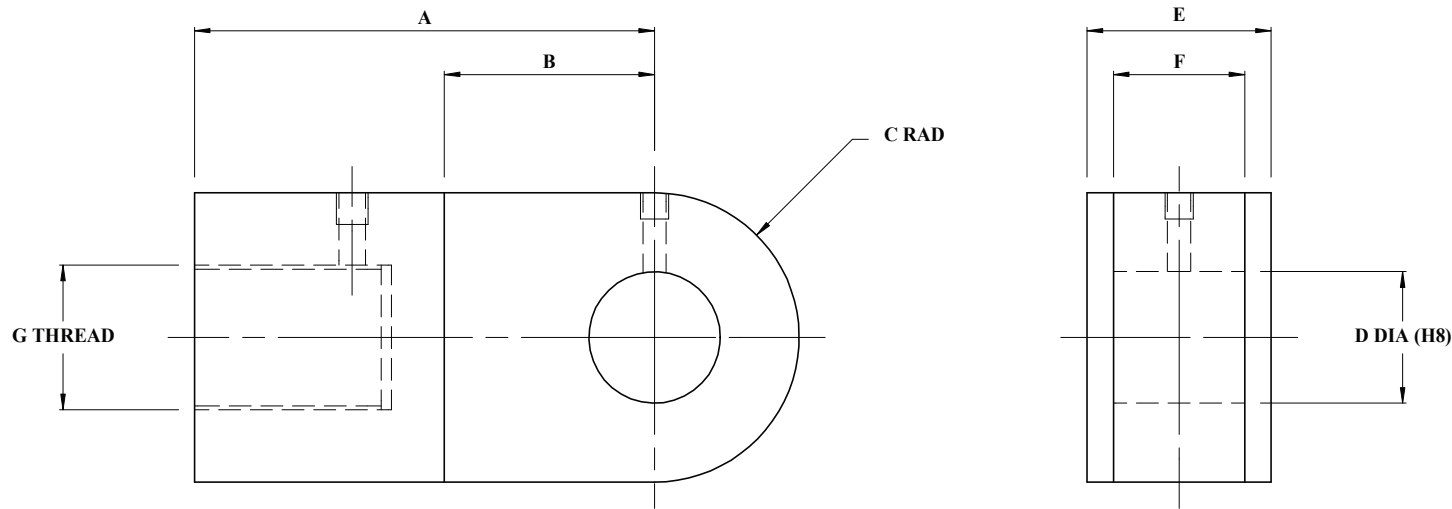


BORE	ROD	D2	D6	L1	L2	L3	L4	L5	L6	L7	L8	PART No.
25	14	M12 X 1.25P	12	54	38	17	14	12	10.5	32	16	SRCN 14
	18	M14 X 1.5P	16	64	44	19	18	16	13	40	21	SRCN 18
32	22	M16 X 1.5P	20	77	52	23	22	20	17	47	25	SRCN 22
	28	M20 X 1.5P	25	96	65	29	27	25	21	58	30	SRCN 28
50	36	M27 X 2P	32	118	80	37	32	32	27	70	38	SRCN 36
	45	M33 X 2P	40	145.5	97	46	41	40	32	89	47	SRCN 45
80	56	M42 X 2P	50	179	120	57	50	50	40	108	58	SRCN 56
	70	M48 X 2P	63	211	140	64	62	63	52	132	70	SRCN 70
125	90	M64 X 3P	80	270	180	86	78	80	66	168	90	SRCN 90
	110	M80 X 3P	100	322	210	96	98	100	84	210	110	SRCN 110
200	140	M100 X 3P	125	405	260	113	120	125	102	262	135	SRCN 140
	180	M125 X 4P	160	488	310	126	150	160	130	326	165	SRCN 180

RS FLUID POWER SERIES RSW

CETOP SPHERICAL ROD CLEVIS



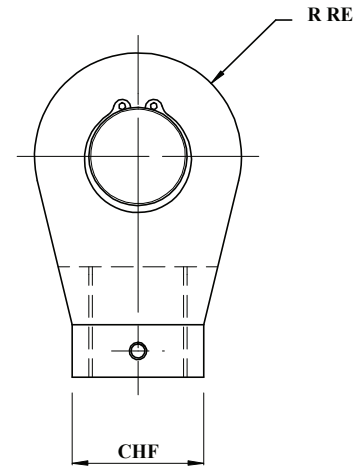
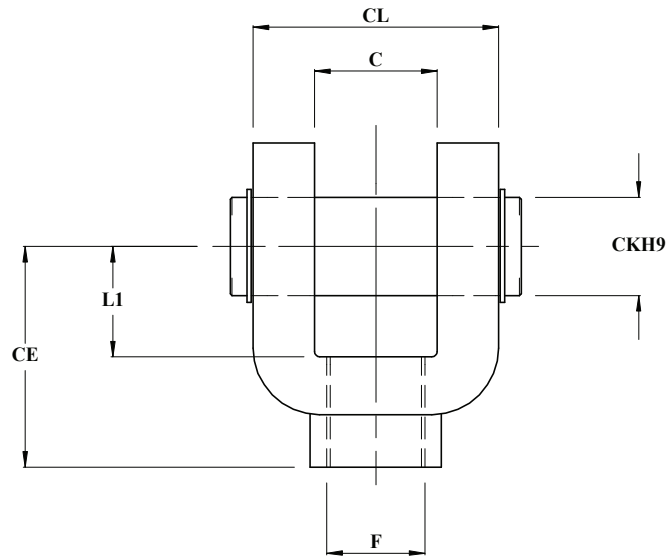


BORE	ROD	A	B	C	D	E	F	G	PART No.
25	14	50	20	17.5	12	20	12	M12 X 1.25P	PRC 25/14
	18							M14 X 1.5P	PRC 25/18
32	18	54	25	21	16	25	16	M14 X 1.5P	PRC 32/18
	22							M18 X 1.5P	PRC 32/22
40	22	75	30	25	20	30	20	M18 X 1.5P	PRC 40/22
	28							M22 X 1.5P	PRC 40/28
50	28	95	40	32	25	35	25	M22 X 1.5P	PRC 50/28
	36							M27 X 2P	PRC 50/36
63	36	115	50	35	32	45	32	M27 X 2P	PRC 63/36
	45							M33 X 2P	PRC 63/45
80	45	140	60	45	40	60	40	M33 X 2P	PRC 80/45
	56							M42 X 2P	PRC 80/56
100	56	175	80	55	50	70	50	M42 X 2P	PRC 100/56
	70							M52 X 2P	PRC 100/70
125	70	210	85	78	63	80	63	M52 X 2P	PRC 125/70
	90							M68 X 3P	PRC 125/90
160	90	270	121	92	80	100	80	M68 X 3P	PRC 160/90
	110							M80 X 3P	PRC 160/110
200	110	300	160	110	100	130	100	M80 X 3P	PRC 200/110
	140							M110 X 3P	PRC 200/140
250	140	350	200	130	125	150	125	M110 X 3P	PRC 250/140
	180							M125 X 4P	PRC 250/180

RS FLUID POWER SERIES RSW

PLAIN ROD CLEVIS

RS FLUID POWER



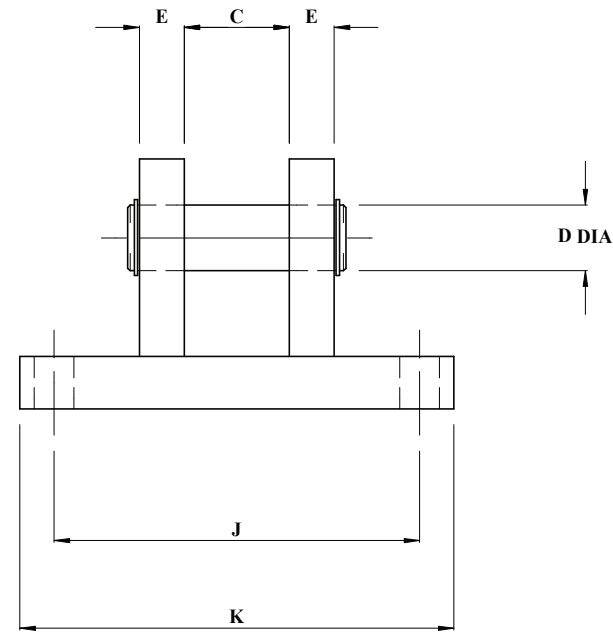
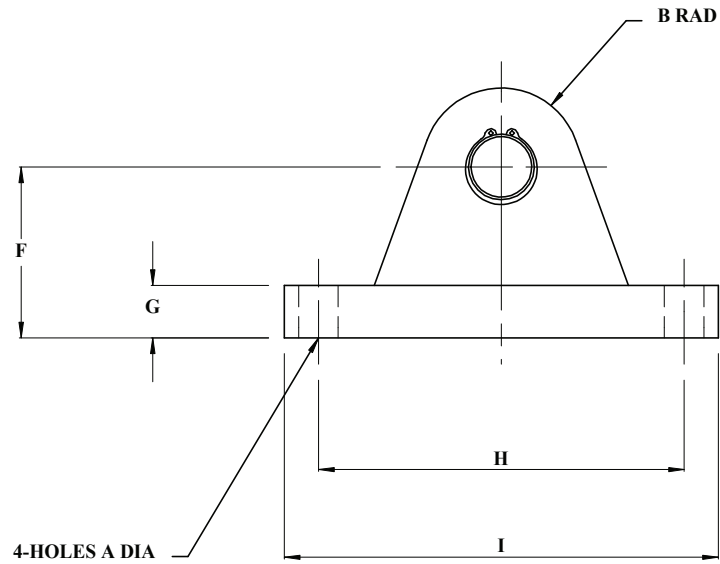
C	CKH9	CE	CL	CHF	F	L1	RE	PART No.
16	12	36	32	21	M12 X 1.25P	19	17	22048 D
20	14	38	40	21	M14 X 1.5P	19	17	22049 D
30	20	54	60	32	M18 X 1.5P	32	29	22050 D
30	20	60	60	32	M22 X 1.5P	32	29	22051 D
40	28	75	80	40	M27 X 2P	39	34	22052 D
50	36	99	100	56	M33 X 2P	54	50	22053 D
60	45	113	120	56	M42 X 2P	57	53	22054 D
70	56	126	140	75	M52 X 2P	63	59	22055 D
80	70	168	160	95	M68 X 3P	83	78	22056 D
80	70	168	160	95	M80 X 3P	83	78	22057 D

MATERIAL SPECIFICATION. : FORGED STEEL C4 ISO 8133

THREADED FORK ROD END (C/W PIN)

RS FLUID POWER

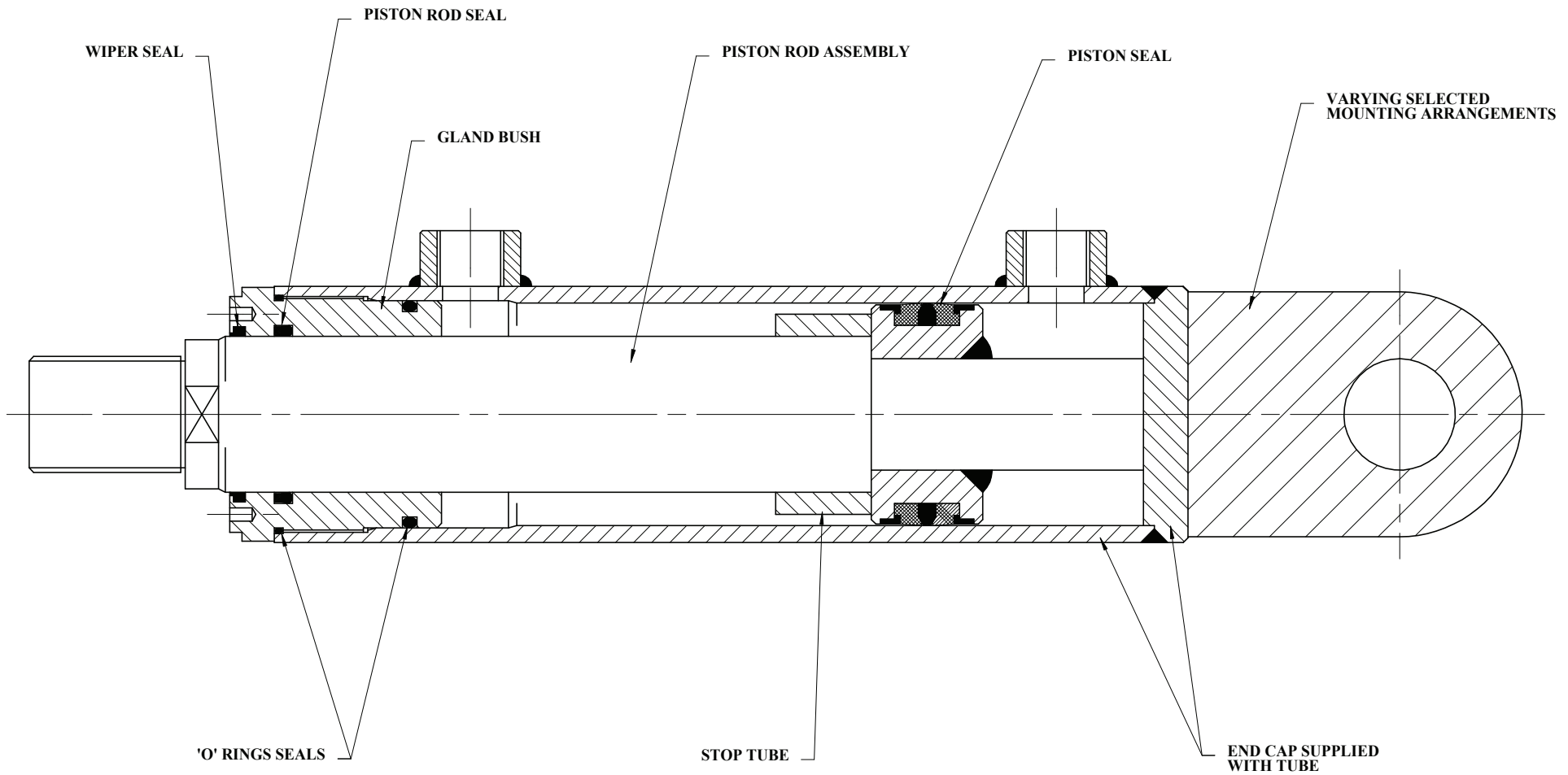
RS FLUID POWER SERIES RSW



BORE	A	B	C	D	E	F	G	H	I	J	K	PART No.
25	7	15	12	12	12	35	12	65	90	65	90	FCB 25
32	9	22	16	16	15	45	16	90	120	90	120	FCB 32
40	9	25	20	20	15	50	20	100	135	100	135	FCB 40
50	11	30	25	25	20	65	25	125	145	125	145	FCB 50
63	13	40	32	32	25	80	30	145	165	145	165	FCB 63
80	18	50	40	40	30	95	35	180	230	180	230	FCB 80
100	22	60	50	50	35	110	40	205	255	205	255	FCB 100
125	26	75	63	63	40	130	45	230	280	230	280	FCB 125
160	32	90	80	80	45	150	50	250	320	250	320	FCB 160
200	38	110	100	100	50	180	50	275	320	275	320	FCB 200
250	41	130	125	125	50	200	50	300	375	300	375	FCB 250

RS FLUID POWER SERIES RSW

FEMALE CLEVIS BRACKET AND PIN



SEAL KIT REFERENCE : - SK CWS (BORE SIZE) / (PISTON ROD SIZE)
EG. : - SK CWS 40 / 28

SPARE PARTS